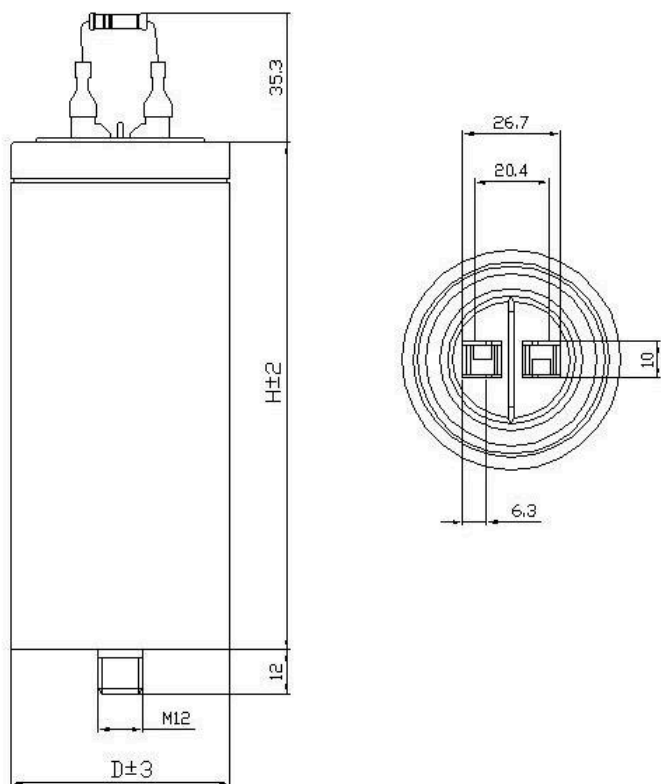
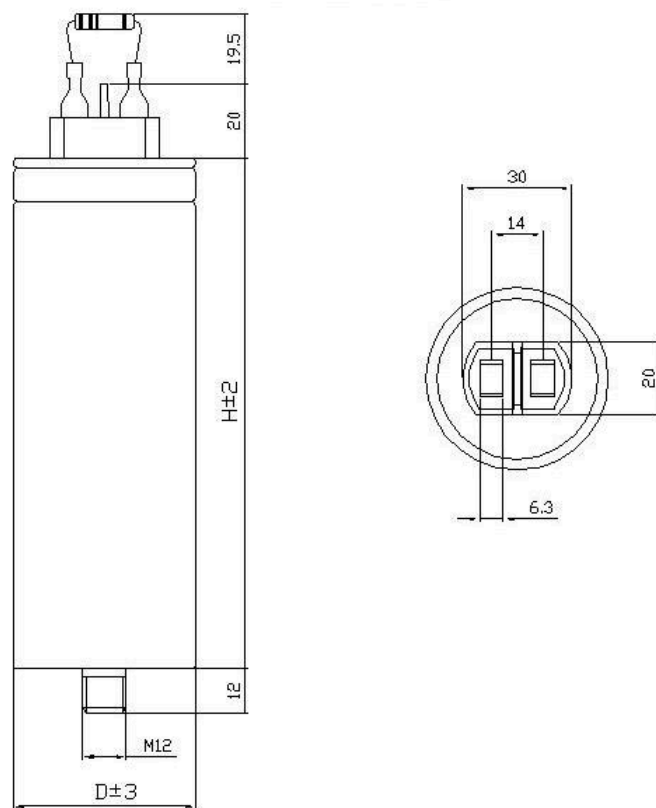


ST MONOFASI



MH MONOFASI



Tensione nominale (V) - 50Hz	Potenza nominale (kVar)		D (mm)	H (mm)
230	0,83	ST	45	122
		MH		
230	1,67	ST	60	137
		MH	45	90
400-415	1,67	ST	50	122
450-500			50	132
550			45	132
400+415		MH	45	115
400+550	2,50	ST	55	132
		MH	50	115
230+550	3,33	ST	60	137
		MH	50	150
230+550	4,17	ST	60	137
		MH	55	150
230+550	5,00	ST		
		MH	60	150
230+550	6,66	ST		
		MH	60	165
230+550	8,33	ST		
		MH	65	165
230+550	10,00	ST		
		MH	75	170