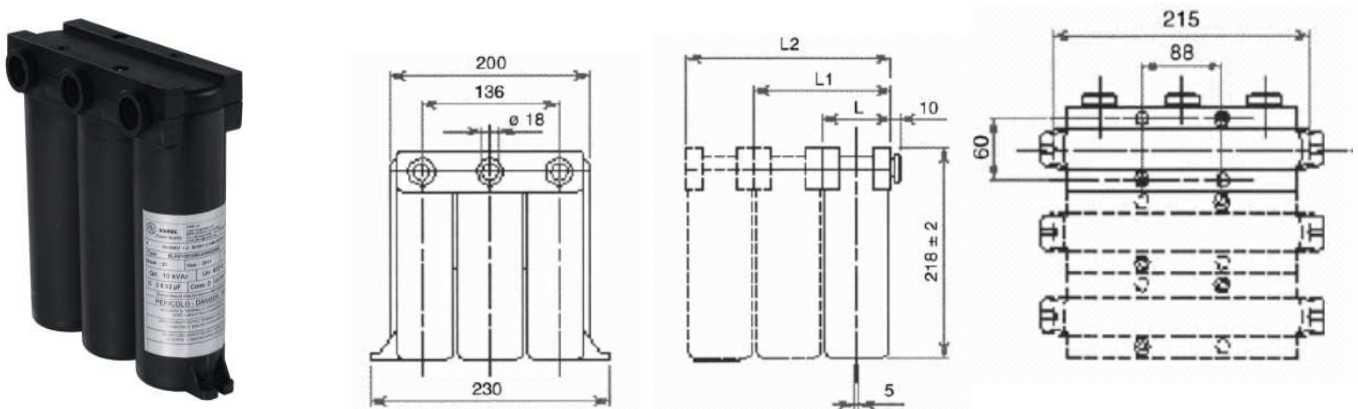


# BLK03 Three-phase modular capacitor

Modular three-phase capacitors; they are made by three mono-phase elements connected together by a delta connection and inserted in a plastic case (V2 type) and thanks to this they do not need any grounding. Blok modules are provided with connection terminals on the top of the upper cover. If required they are provided with connection bars for connecting different modules. In order to avoid over-heating of the connection bars it is recommended not to overcome the maximal current of 75A. Blok module is provided with discharge resistors and has lateral support feet for the fixing with screws.



DATA CAPACITORS		Blok 03.....		
Type capacitor installed		MH single-phase		
Reactive Power	kVAr	5 ÷ 20	25 ÷ 40	50,00
Dimensions	mm	200 x 80(L) x 220	200 x 148(L1) x 220	200 x 217(L2) x 220
Rated voltage	V	415 - 450 - 525		
Descarge resistor	-	inside		
Capacitor tollerance	%	5		
Degree of protection	IP	40		
Losses dielectric	W/kVAr	≤0,2		
Overcurrent	I	4In		
Inrush current	I	200xIn		
Statistical life expectancy	h	110.000 (-25D) 130.000 (-25/C)		
Class of temperatur	-	-25D		
Altitude max	m	≤ 2.000 on sea level		
Dielectric system	-	MKP metallised polypropylene stronger		
Installation		indoor		
Duty	-	continuous		
Voltage and frequency supply	V-Hz	400V - 3F 50Hz		
Standards	-	CEI EN 61921, CEI EN 60439-1, CEI EN 60831-1		

